



XP-A : Analog input repeater

General

Receive 4~20mADC from the industrial field and send to DCS/PLC after isolation.

Product:

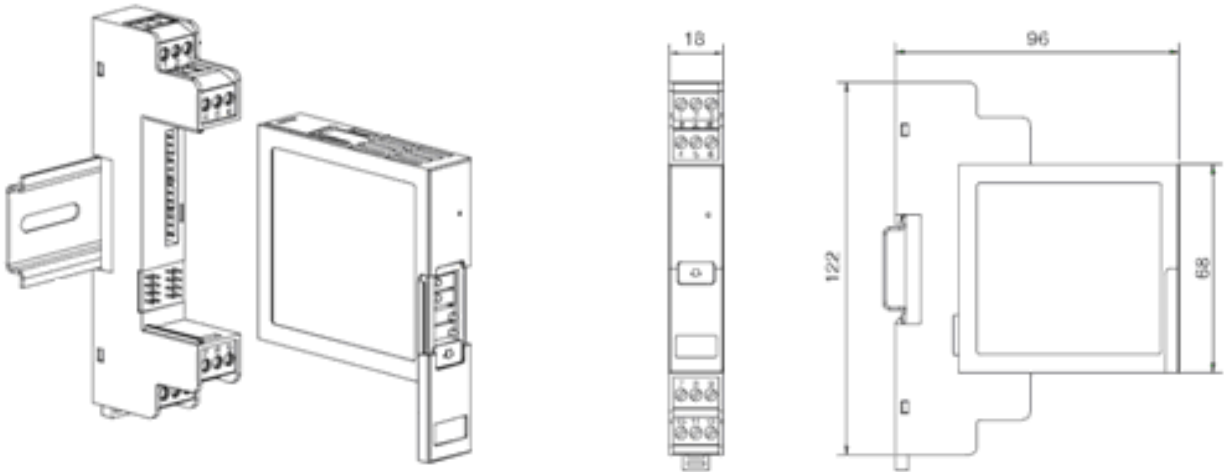
	Input 1	Input 2	Output 1	Output 2	Power
XP-A-A420-V010-D	4~20mADC	No	0~10VDC	No	DC24V
XP-A-A420-2A420-D	4~20mADC	No	4~20mADC	4~20mADC	DC24V
XP-A-2A420-2A420-D	4~20mADC	4~20mADC	4~20mADC	4~20mADC	DC24V

Specifications:

Power supply: 24VDC±10%, ≤1.6W	Isolation: input / output / power
Input signal: 4~20mADC, source	Dielectric strength: 1 minute
Input limit: ≤30mA	Inputs / outputs, inputs / power: 2000VAC
Input resistance: ≤200Ω	outputs / power: 1000VAC
Output signal: 4~20mA, source	Ambient temperature: 0~50°C
Output load: 0~350Ω	Relative humidity: 10~90%RH
Accuracy: ±0.15%F.S@25°C(Max.)	Atmospheric pressure: 86~106KPa
Temperature drift: ±0.01%F.S/°C(Max.)	Installation: DIN 35mm rail

Installation

Dimension 18mm*96mm*122mm



Application:

